

Installation assistance available at:

RFTECH

www.rockfordfosgate.com/rftech

P R I M E

HARLEY-DAVIDSON®
2-SPEAKER KIT

R1-HD2-9813

Serial Number: _____ Date of Purchase: _____



600 South Rockford Drive • Tempe, Arizona 85281 United States
Direct: (480) 967-3565 • Toll Free: (800) 669-9899
ROCKFORDFOSGATE.COM



Dear Customer,

Congratulations on your purchase of the world's finest brand of car audio products. At Rockford Fosgate we are fanatics about musical reproduction at its best, and we are pleased you chose our product. Through years of engineering expertise, hand craftsmanship and critical testing procedures, we have created a wide range of products that reproduce music with all the clarity and richness you deserve.

For maximum performance we recommend you have your new Rockford Fosgate product installed by an Authorized Rockford Fosgate Dealer, as we provide specialized training through Rockford Technical Training Institute (RTTI). Please read your warranty and retain your receipt and original carton for possible future use.

Great product and competent installations are only a piece of the puzzle when it comes to your system. Make sure that your installer is using 100% authentic installation accessories from Rockford Fosgate in your installation. Rockford Fosgate has everything from RCA cables and speaker wire to power wire and battery connectors. Insist on it! After all, your new system deserves nothing but the best.

To add the finishing touch to your new Rockford Fosgate image order your Rockford accessories, which include everything from T-shirts to jackets.

Visit our web site for the latest information on all Rockford products; www.rockfordfosgate.com or, in the U.S. call 1-800-669-9899 or FAX 1-800-398-3985. For all other countries, call +001-480-967-3565 or FAX +001-480-966-3983.

Table of Content

- 2 Introduction
- 3 Specifications
- 4-5 Design Features
- 6 Wiring Diagram
- 7 Installation Considerations
- 8-10 Installation
 - Ultra Classic®
 - Electra Glide®
 - Street Glide®
 - Tri Glide®
- 11-13 Installation
 - Road Glide®
 - Road Glide Ultra®
- 14-15 Installation
 - All Models
- 16 Warranty

If, after reading your manual, you still have questions regarding this product, we recommend that you see your Rockford Fosgate dealer. If you need further assistance, you can call us direct at **1-800-669-9899**. Be sure to have your serial number, model number and date of purchase available when you call.

PRACTICE SAFE SOUND

Continuous exposure to sound pressure levels over 100dB may cause permanent hearing loss. High powered auto sound systems may produce sound pressure levels well over 130dB. Use common sense and practice safe sound.

Safety

This symbol with "WARNING" is intended to alert the user to the presence of important instructions. Failure to heed the instructions will result in severe injury or death.

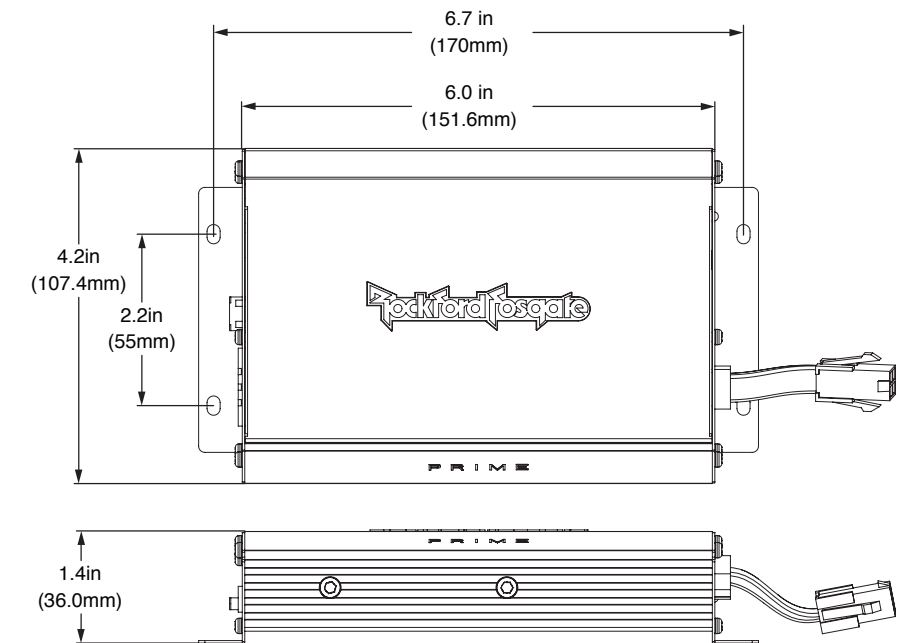
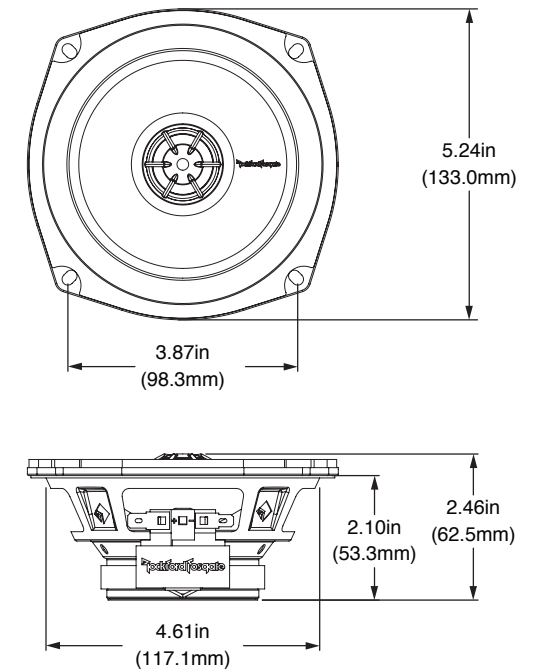


This symbol with "CAUTION" is intended to alert the user to the presence of important instructions. Failure to heed the instructions can result in injury or unit damage.

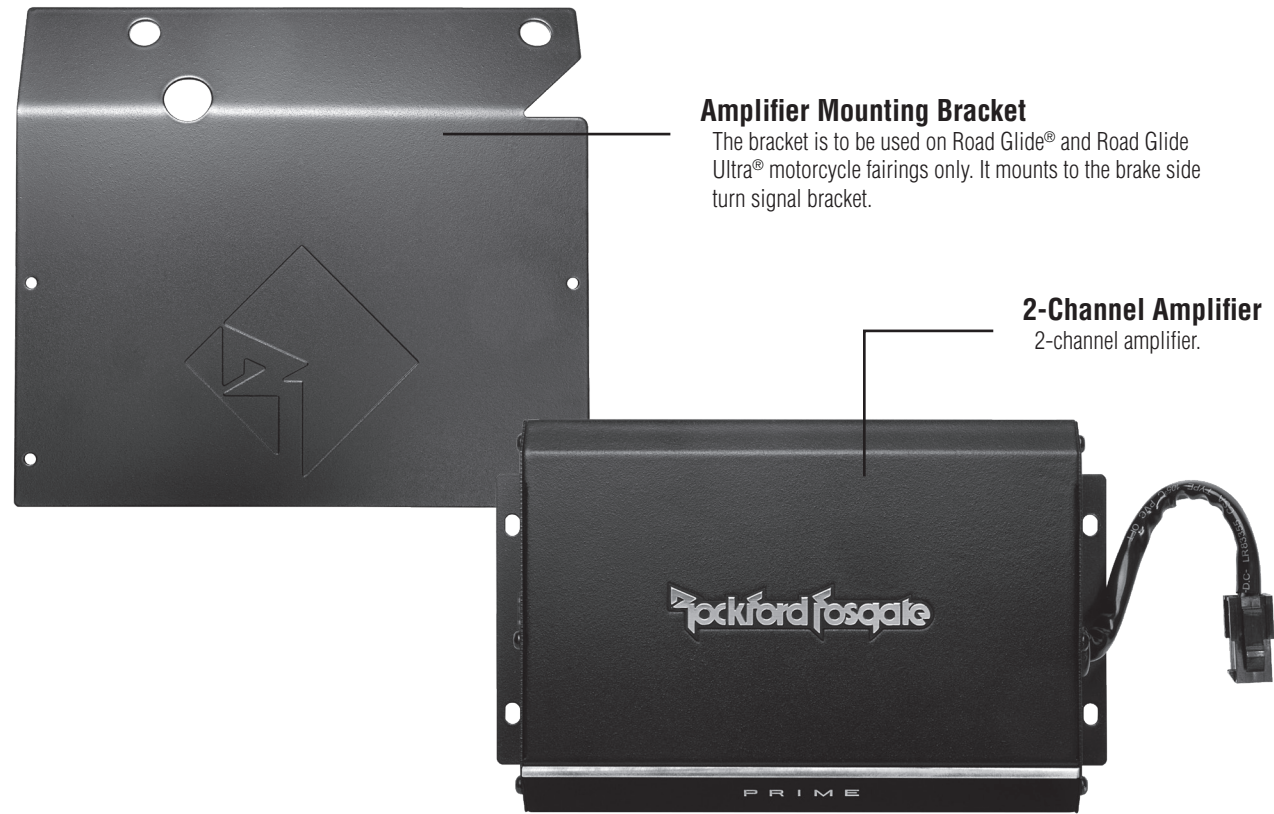


- To prevent injury and damage to the unit, please read and follow the instructions in this manual. We want you to enjoy this system, not get a headache.
- If you feel unsure about installing this system yourself, have it installed by a qualified Rockford Fosgate technician.
- Before installation, disconnect the battery negative (-) terminal to prevent damage to the unit, fire and/or possible injury.

Model	R1-HD2-9813
Description	2-Channel
Watts Per Channel (RMS)	70W X 2
Crossover Frequency	Fixed
Frequency Response	95Hz-20kHz
Level Control	-3dB, 0dB, +3dB
Fuse Rating	15A
Nominal Diameter	5.25" (133 mm)
Description	2-Way
Nominal Impedance	2Ω
Sensitivity (1W/1M)	88dB



illus-1.1



Amplifier Mounting Bracket

The bracket is to be used on Road Glide® and Road Glide Ultra® motorcycle fairings only. It mounts to the brake side turn signal bracket.

2-Channel Amplifier

2-channel amplifier.



Level Control

Recommended level should be set to -3dB. The level should be set prior to amplifier installation. Some installations do not allow for level adjustment access when mounted to the motorcycle.



High-Level Input Harness Connector

White, 8-pin socket accepts the High-Level Input Harness

Power Harness Connector

Green, 3-pin socket accepts the Power Harness.

Speaker Output Harness Connectors

Black, 4-pin socket accepts front Speaker Output Harness.



2-Way Speaker

This Factory (OEM) Direct Fitment speaker installs into the factory speaker grilles. No adapter is needed.

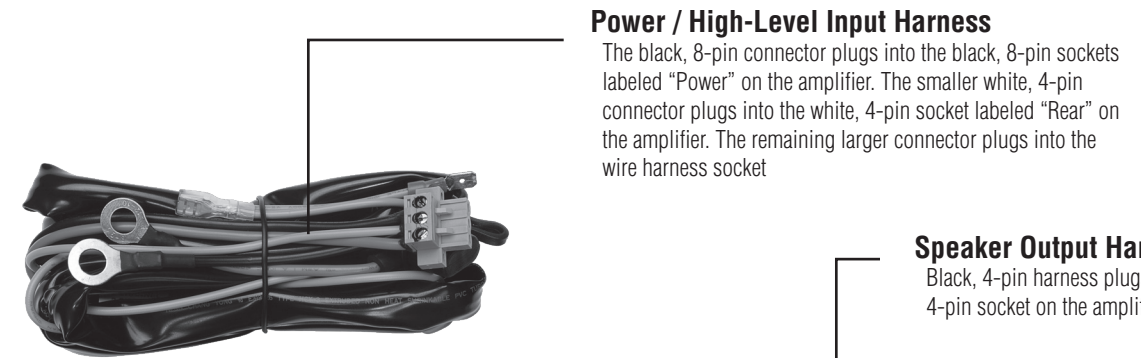


Grille Badge

Adhesive backed Rockford Fosgate badges attach to the factory speaker grill. (Ultra Classic®, Electra Glide®, Street Glide®, Tri Glide® Only)

Standard Spade Connector

The spade terminals accept both 1/8" (negative) and 1/4" (positive) connectors from the new Speaker Output Harness.

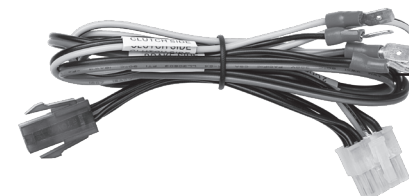


Power / High-Level Input Harness

The black, 8-pin connector plugs into the black, 8-pin sockets labeled "Power" on the amplifier. The smaller white, 4-pin connector plugs into the white, 4-pin socket labeled "Rear" on the amplifier. The remaining larger connector plugs into the wire harness socket

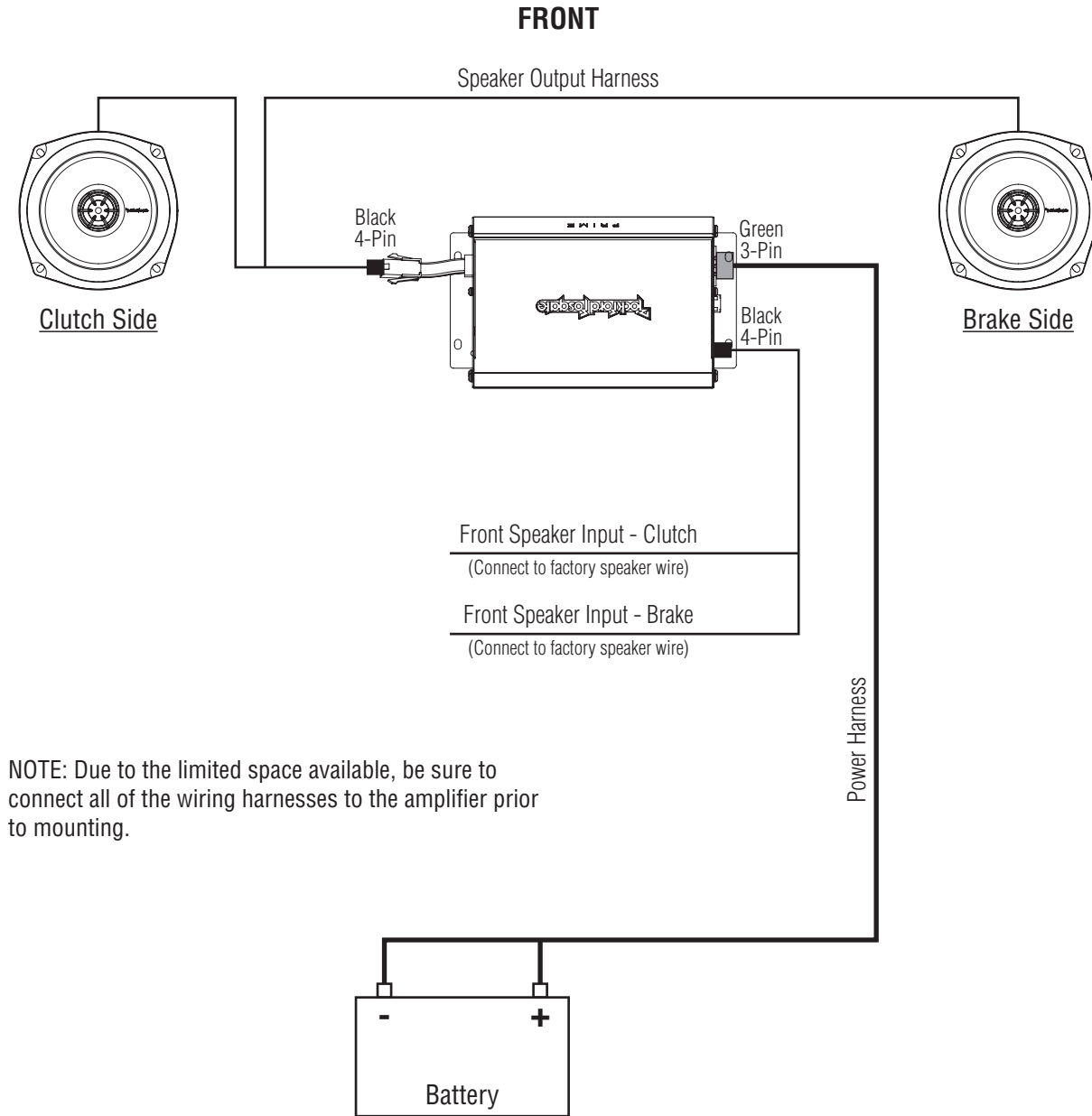
Speaker Output Harness

Black, 4-pin harness plugs into the black, Speaker Output 4-pin socket on the amplifier.



Speaker Input Harness

White, 8-pin harness plugs directly into the white, 8-pin socket on the harness routed to the rear of the motorcycle.



NOTE: Due to the limited space available, be sure to connect all of the wiring harnesses to the amplifier prior to mounting.

Contents

- 2-Channel Amplifier
- Amplifier Mounting Bracket
- 2-Way Speakers (1 Pair)
- Power Harness
- High-Level Input Harness
- Speaker Output Harness
- Mounting Screws
- Zip Ties
- Velcro Pads
- Grille Badges

Installation Tools

The following is a list of suggested tools needed for installation:

- Wrenches / Sockets - 7/16", 3/8", 1/2", 10mm
- Allen Wrench - 1/8", 5/32"
- Torx - T10, T25
- #2 Phillips Screw Driver
- Small Flat Blade Screw Driver
- Wire Cutters
- Scissors

Installation Considerations

This section focuses on some considerations for installing your motorcycle audio kit. This manual will illustrate the installation of two different fairing styles offered by Harley-Davidson® from the production years ranging from 1998 to 2013. (Ultra Classic®, Electra Glide®, Street Glide®, Tri Glide®, Road Glide® and Road Glide Ultra®.)

NOTE: This kit will not work on CVO™ models.

If you feel unsure about installing this system yourself, have it installed by a qualified technician.

⚠ CAUTION Before installation, disconnect the battery negative (-) terminal to prevent damage to the unit, fire and/or possible injury.

⚠ CAUTION Before beginning any installation, follow these simple rules:

- Be sure to carefully read and understand the instructions before attempting to install this motorcycle audio kit.
- Consult your motorcycle's service manual for model specific information. Models may differ from year to year depending on factory options and aftermarket accessories added.
- This motorcycle audio kit is a complete replacement to the factory (OEM) 2-speaker setup.
- With the addition of an amplifier, be sure that your current charging system is in proper working order.
- Utilize a blanket or fender cover to protect the front fender from tools or any other item that may be accidentally be dropped while removing the fairing.
- Visit rockfordfosgate.com for more comprehensive installation videos and product information.



Ultra Classic®, Electra Glide®, Street Glide® and Tri Glide® models.



Step 1 - Fairing Removal

To begin with, remove the top bolts below the windshield and remove the windshield.



Once you have the windshield set aside, remove the remaining screws on the inside of the fairing. This will allow you to remove the front fairing.



You will need to disconnect the harness from the headlight to completely take the fairing off of the motorcycle.

Step 2 - Speaker Removal

After the fairing is removed, unplug the wires from both speaker terminals. Remove the screws that secure the factory speaker and grille to the fairing. Remove each speaker out of the factory grille.



NOTE: Be sure to keep track of the wires that are plugged into the clutch and brake side speakers.

Step 3 - Speaker Installation

Take the factory speaker grille assembly and carefully attach the new Rockford speaker to the factory grille.



NOTE: You can insert the one side of the speaker into the assembly and use a flat bladed screwdriver or pry bar to gently pry the grille onto the speaker for a tight fit. Be sure to orientate the speaker with the terminals up.

Reattach the speaker and grille assembly to the fairing.



Step 4 - Amplifier Pre-Wire

All of the wiring harnesses are color coded for ease of installation.

NOTE: Due to the limited space available, be sure to connect all of the wiring harnesses to the amplifier prior to mounting. It is also recommended setting the Level at this time. The recommended setting is -3dB.

Refer to wiring diagram on Page 6 for harness and wire connections

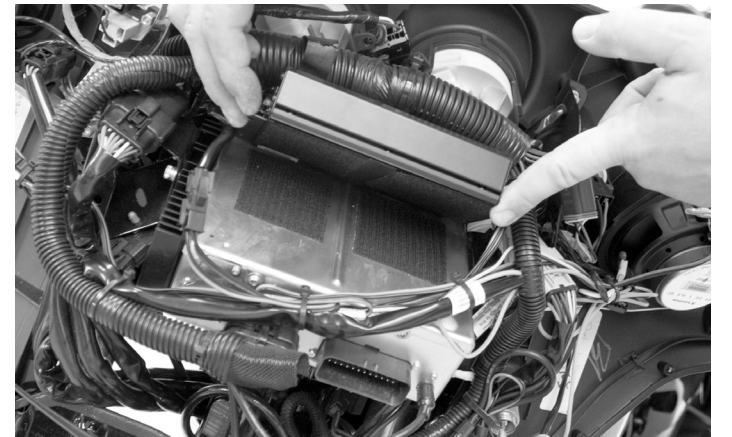


Step 5 - Amplifier Mounting

Without Communication Module

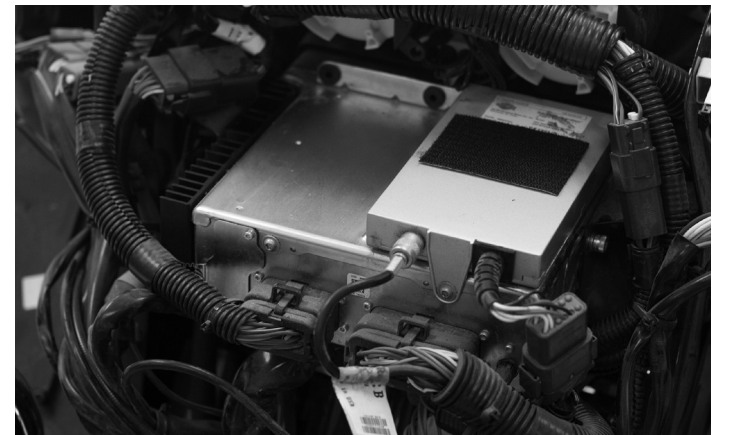
Using the supplied Velcro pad, cut it in half and apply to the top of the radio and the bottom of the amplifier. Be sure to clean the top of the radio for proper adhesion.

NOTE: When applying the Velcro to the top of the radio, it needs to be applied close to the gauge cluster side so the installed amplifier provides adequate clearance for the fairing when reinstalled.



With Communication Module

Attach the Velcro on top of the communication module and to the underside of the amplifier. Once the amplifier is mounted, you can now wire up the speakers.



Step 6 - Fairing Speaker Wiring

Take the factory speaker wires and plug them directly in to the new High-Level Input Harness. These are labeled clutch and brake side.

Now you can plug the new Speaker Output Harness onto the Rockford speaker terminals.

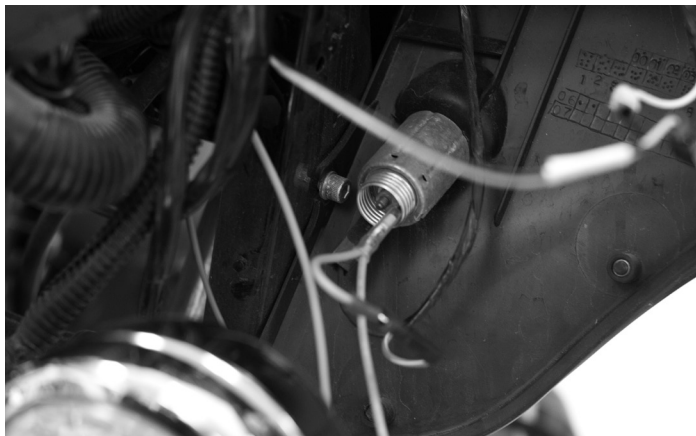


NOTE: The terminals utilize the 1/8" for negative (-) and the 1/4" for positive (+) sizing for easy connections.

Step 7 - Remote Wire

After the speakers are wired, the orange wire will need to be connected to the cigarette lighter. This is the remote power turn-on for the amplifier.

Unplug the existing cigarette lighter wire and plug into the harness. Then plug the orange wire onto the cigarette lighter terminal.



NOTE: When routing your wires, be sure to avoid sharp edges which may cause damage to the wiring harnesses. Any extra wiring should be zip tied up and out of the way of components.

Proceed to Step 8 on page 14 for continued installation instructions.

Road Glide® and Road Glide Ultra® models.



Step 1 - Removal

Leaving the windshield in place, remove the six inner fairing screws.

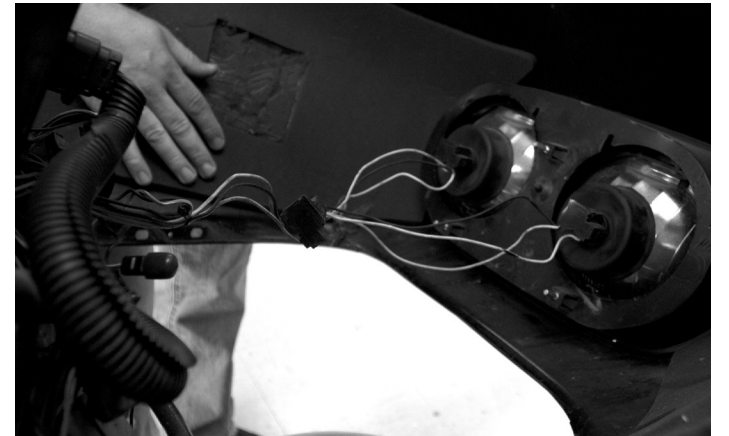


After the screws are removed, use your socket or ratcheting wrench to unbolt the turn signal brackets.

NOTE: Some turn signal brackets stay attached and some can be completely removed. This varies depending on aftermarket and factory accessory styles



Pull the fairing toward the front of the bike and up to release it from the fairing mounts. Unplug headlight harness and set fairing aside.



Step 2 - Speaker Removal

After the fairing is removed, unplug the wires from both speaker terminals. Remove the screws that secure the factory speaker from the grille.



NOTE: Be sure to keep track of the wires that are plugged into the clutch and brake side speakers.

Remove each speaker out of the factory grille.



Step 3 - Speaker Install

Reattach the new Rockford speaker to the backside of the factory grille assembly. Be sure to orientate the speaker with the terminals up.



Step 4 - Amplifier Pre-Wire

All of the wiring harnesses are color coded for ease of installation.
 NOTE: Due to the limited space available, be sure to connect all of the wiring harnesses to the amplifier prior to mounting. It is also recommended setting the Level at this time. The recommended setting is -3dB.

Refer to wiring diagram on Page 6 for harness and wire connections

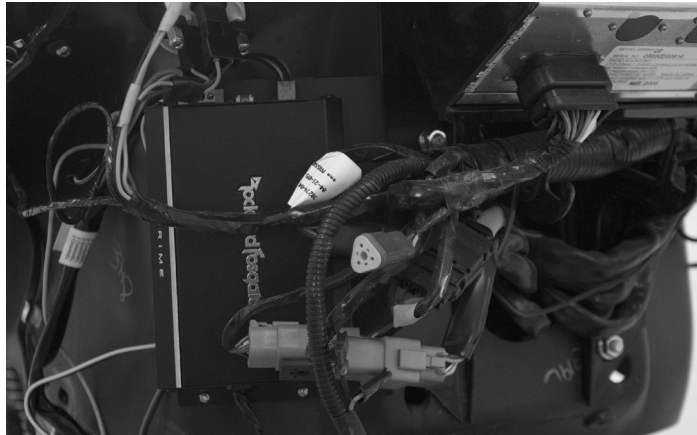


Step 5 - Amplifier Mounting

Attach the amplifier to the bracket using the supplied hardware.



Mount the bracket to the brake side turn signal bracket. Once the amplifier is mounted, you can now wire up the speakers.



Step 6 - Fairing Speaker Wiring

Take the factory speaker wires and plug them directly in to the new High-Level Input Harness. These are labeled clutch and brake side.
 Now you can plug the new Speaker Output Harness onto the Rockford speaker terminals.



NOTE: The terminals utilize the 1/8" for negative (-) and the 1/4" for positive (+) sizing for easy connections.

Step 7 - Remote Wire

After the speakers are wired, the orange wire will need to be connected to the cigarette lighter. This is the remote power turn-on for the amplifier.

Unplug the existing cigarette lighter wire and plug into the harness. Then plug the orange wire onto the cigarette lighter terminal.



NOTE: When routing your wires, be sure to avoid sharp edges which may cause damage to the wiring harnesses. Any extra wiring should be zip tied up and out of the way of components.

All Models

Step 8 - Routing Power Harness

Pass the power harness through the fairing and route next to the factory wiring harness.



Routing the new wire harness along with the factory harness is recommended. Be sure to zip tie the harness together for a clean, tight fit.



Step 9 -Gas Tank Console Removal

Remove the gas tank console so you can route the harness(s) underneath of it. You will need to remove the gas cap, vent tube and communication wires (if equipped).



⚠ WARNING The gas cap should not be left off. Once the console is off put the cap back on to prevent any gas fumes creating a potential fire hazard.

Step 10 -Gas Tank Console Installation

Once all wires are routed down the top side of the tank, reinstall the tank console. Remember to reconnect the vent line, the communication wire and the gas cap.



Step 11 - Connect Battery

Connect the positive (+) and negative (-) wires to the battery. The system is ready to test. Reinstall fairing and seat when system check is completed.



Badge Installation - Ultra Classic®, Electra Glide®, Street Glide® and Tri Glide® models.

Peel the backing off of the badge. Place it on top of the speaker grille and press firmly.



Warranty

Rockford Corporation offers a limited warranty on Rockford Fosgate products on the following terms:

Length of Warranty

- POWER Amplifiers – 2 Years
- BMW® Direct Fit Speakers – 2 Years
- All other products – 1 Year
- Any Factory Refurbished Product – 90 days (receipt required)

What is Covered

This warranty applies only to Rockford Fosgate products sold to consumers by Authorized Rockford Fosgate Dealers in the United States of America or its possessions. Product purchased by consumers from an Authorized Rockford Fosgate Dealer in another country are covered only by that country's Distributor and not by Rockford Corporation.

Who is Covered

This warranty covers only the original purchaser of Rockford product purchased from an Authorized Rockford Fosgate Dealer in the United States. In order to receive service, the purchaser must provide Rockford with a copy of the receipt stating the customer name, dealer name, product purchased and date of purchase.

Products found to be defective during the warranty period will be repaired or replaced (with a product deemed to be equivalent) at Rockford's discretion.

What is Not Covered

1. Damage caused by accident, abuse, improper operations, water, theft, shipping.
2. Any cost or expense related to the removal or reinstallation of product.
3. Service performed by anyone other than Rockford or an Authorized Rockford Fosgate Service Center.
4. Any product which has had the serial number defaced, altered, or removed.
5. Subsequent damage to other components.
6. Any product purchased outside the U.S.
7. Any product not purchased from an Authorized Rockford Fosgate Dealer.

Limit on Implied Warranties

Any implied warranties including warranties of fitness for use and merchantability are limited in duration to the period of the express warranty set forth above. Some states do not allow limitations on the length of an implied warranty, so this limitation may not apply. No person is authorized to assume for Rockford Fosgate any other liability in connection with the sale of the product.

How to Obtain Service

Contact the Authorized Rockford Fosgate Dealer you purchased this product from. If you need further assistance, call 1-800-669-9899 for Rockford Customer Service. You must obtain an RA# (Return Authorization number) to return any product to Rockford Fosgate. You are responsible for shipment of product to Rockford.

EU Warranty

This product meets the current EU warranty requirements, see your Authorized dealer for details.